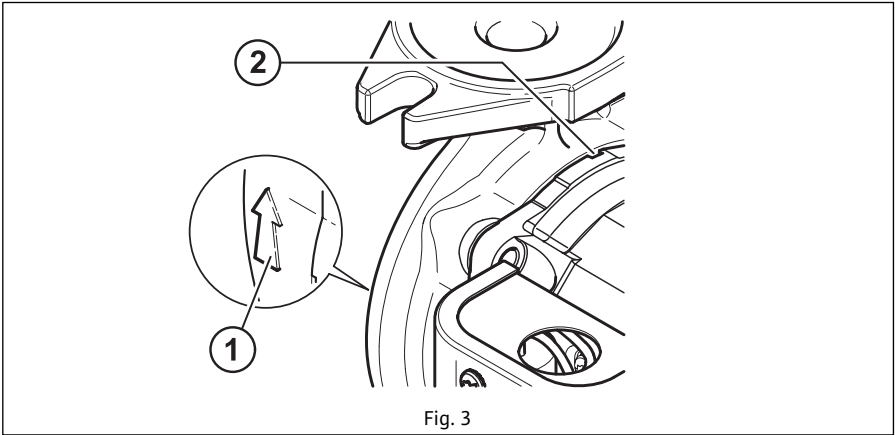
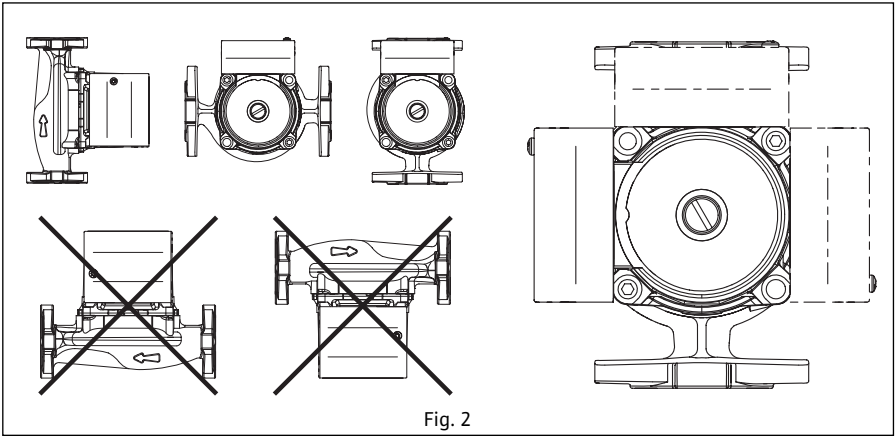
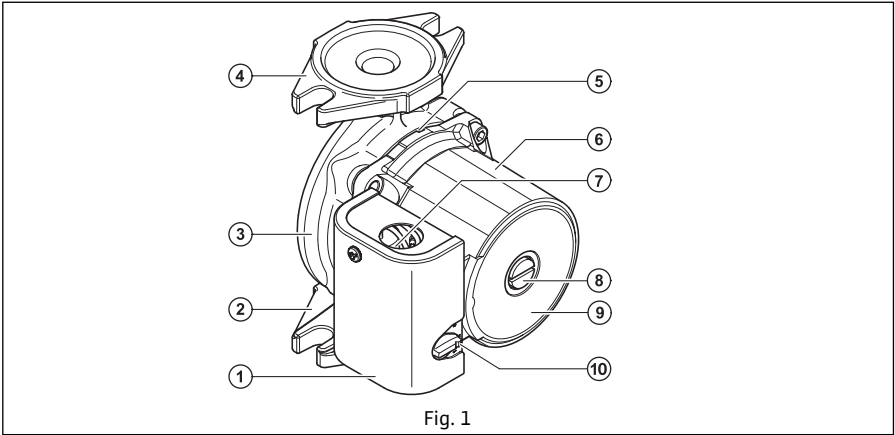


Wilo-Star...



Installation and operating instructions Notice de montage et de mise en service Instrucciones de instalación y funcionamiento



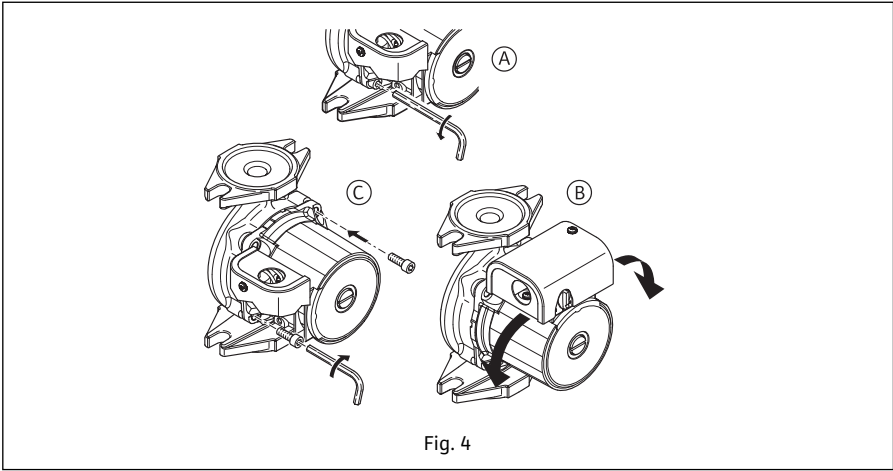


Fig. 4

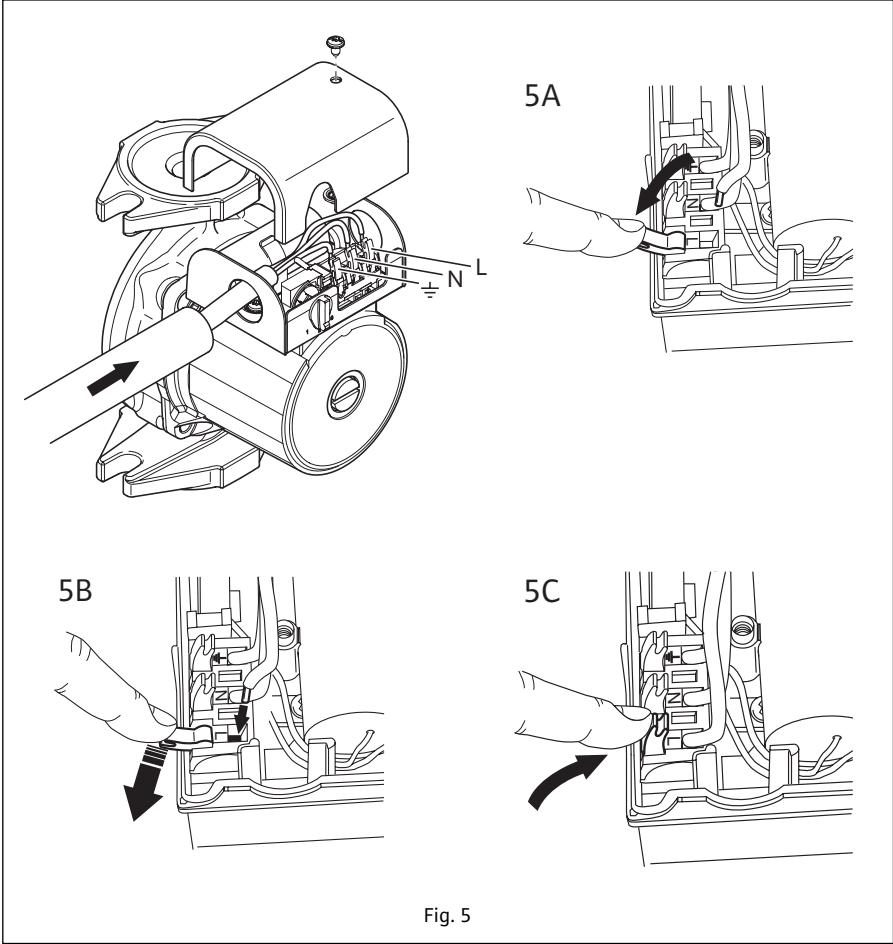


Fig. 5

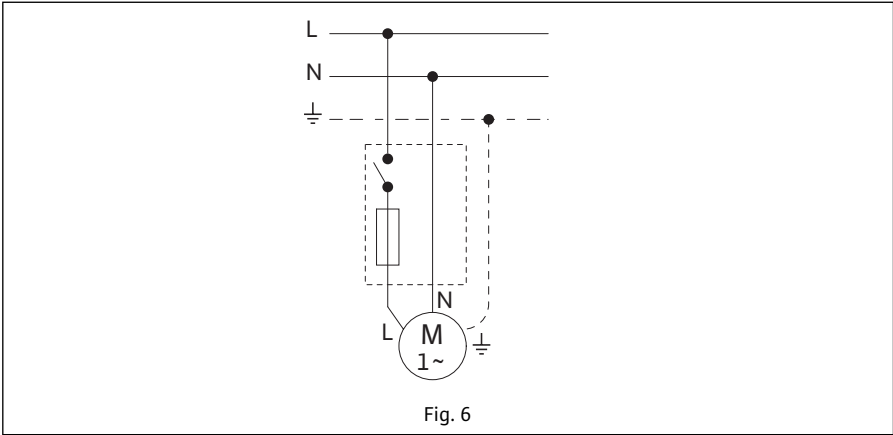


Fig. 6

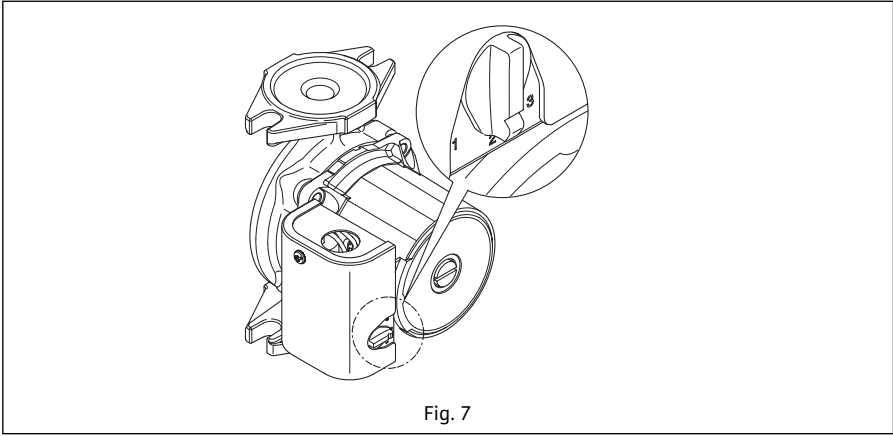


Fig. 7

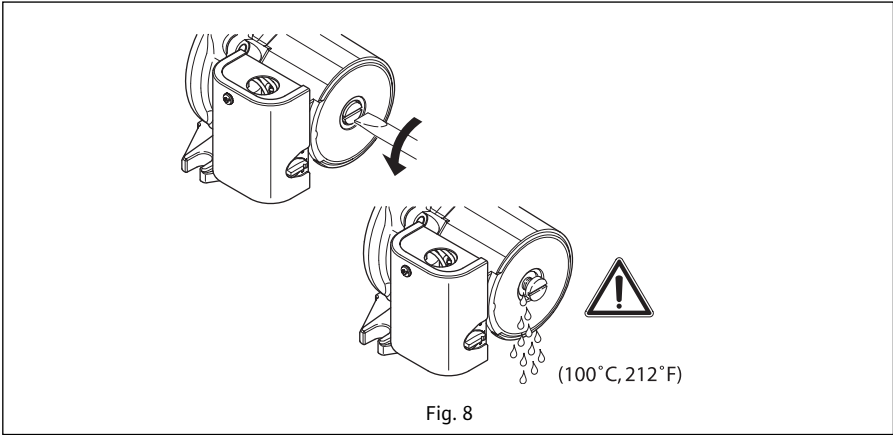


Fig. 8

Table of contents	page
1 General	3
2 Safety	3
3 Transport and interim storage	4
4 Intended use (Application)	4
5 Technical data	5
6 Description and function	6
7 Installation and electrical connection	6
8 Start up	8
9 Maintenance /Service	8
10 Faults, causes and remedies	9
11 Spare parts	9

Table des matières	page
1 Généralités	10
2 Sécurité	10
3 Transport et stockage avant utilisation	11
4 Utilisation prévue (application)	11
5 Données techniques	12
6 Description et fonctionnement	13
7 Installation et raccordement électrique	13
8 Démarrage	15
9 Entretien /Service	16
10 Pannes, causes et remèdes	16
11 Pièces détachées	17

Contenido	página
1 Generalidades	18
2 Seguridad	18
3 Transporte y almacenaje	19
4 Uso previsto (aplicación)	19
5 Datos técnicos	20
6 Descripción y funcionamiento	21
7 Instalación y conexión eléctrica	21
8 Puesta en marcha	23
9 Mantenimiento /Reparación	24
10 Averías, causas y soluciones	24
11 Repuestos	25

1 General

1.1 About this document

These Installation and Operating Instructions form an integral part of the unit. They must be kept close to the unit and in readiness whenever required. Precise observance of these instructions is a pre-condition for use of the unit for the intended purpose and for its correct operation.

These Installation and Operating Instructions conform to the relevant version of the equipment and the underlying safety standards valid at the time of going to press.

2 Safety

These instructions contain important information which must be followed when installing and operating the pump. It is therefore imperative that they be read by both the installer and the operator before the circulator is installed or started up.

Both the general safety instructions in the 'Safety precautions' section and those in subsequent sections indicated by danger symbols should be carefully observed.

2.1 Symbols and signal words used in these operating instructions

Symbols:



General Safety symbol



Hazards from electrical causes

Signal words:

DANGER!	Imminently hazardous situation. Will result in death or serious injury if not avoided.
----------------	---

WARNING!	The user can be exposed to (severe) injury. 'Warning' refers that harm to the user or damage to the product is possible when the user is neglecting the procedure.
-----------------	--

CAUTION!	The product is at risk of damage. 'Caution' refers to the product when the user is neglecting the procedures.
-----------------	---

NOTE!	A notice with useful information for the user in relation to the product. It attends the user to possible problems.
--------------	---

2.2 Qualified Personnel

The personnel installing the pump must have the appropriate qualifications for this work.

2.3 Risks incurred by failure to comply with the safety precautions

Failure to comply with the safety precautions could result in personal injury or damage to the pump or installation. Failure to comply with the safety precautions could invalidate warranty and/or damage claims.

In particular, failure to comply with these safety precautions could increase the possibility of the following risks:

- the failure of important parts of the pump or installation,
- personal injury due to electrical and mechanical causes,
- material damage.

2.4 Safety precautions for the operator

Existing regulations for the prevention of accidents must be observed. National Electrical Codes, local codes and regulations must be followed.

2.5 Safety precautions for inspection and installation

The operator must ensure that all inspection and installation work is carried out by authorized and qualified specialists who have carefully reviewed these instructions. Work on the pump/unit must be carried out only with the pump switched off and at complete standstill.

2.6 Unauthorized alterations and manufacture of spare parts

Alterations to the pump or installation may only be carried out with the manufacturer's consent. The use of original spare parts and accessories authorized by the manufacturer will ensure safety. The use of any other parts may invalidate claims invoking the liability of the manufacturer for any consequences.

2.7 Improper use

The operational safety of the pump or installation supplied can only be guaranteed if it is used in accordance with paragraph 4 of the operating instructions. The limits given in the catalogue or data sheet must under no circumstances be exceeded.

3 Transport and interim storage

When receiving the material, check that there has been no damage during the transport. If shipping damage has occurred, take all necessary steps with the carrier within the allowed time.



CAUTION! Outside influences may cause damages

If the delivered material is to be installed later on, store it in a dry place and protect it from impacts and any outside influences (humidity, frost etc.).

Handle the pump carefully so as not to damage the unit prior to installation.

4 Intended use (Application)



CAUTION! Possible damage of the pump

This pumps are intended for use with water only

The circulating pumps are used to circulate liquids in

- Warm and hot water heating systems,
- Cooling and cold water circuits,
- Closed circulation systems,
- Circulation systems for domestic hot water

Permissible liquids and requirements:

- Domestic hot water. In open domestic hot water systems the pumps should be in bronze body and in accordance with all other specific NSF requirements.
- Heating water acc. the requirements of accepted standards of water quality in heating systems.
- Water and water/glycol mixtures in a maximum ratio up to 1:1. Glycol mixtures require a re-assessment of pump hydraulic data in line with the increased viscosity and depending on mixing ratios. Only approved makes of additives with corrosion inhibitors must be used in strict compliance with manufacturers' instructions.

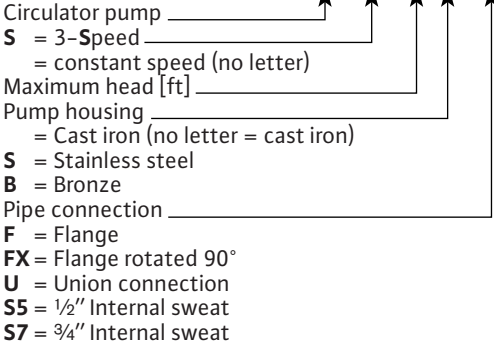
For use of other kinds of liquids consult WIL0 first.

5 Technical data

5.1 Type key

Example:

Star S 16 () FX



5.2 Data table

Voltage	1~115 V		
Mains frequency	60 Hz		
Power consumption	See name plate		
Speed setting	3-speed (Star S... only)		
Fitting length:	inch	(mm)	
Flange F	6 3/8	(162)	
Union connection (1-speed Bronze casing ONLY)	6	(152,4)	
Sweat connection (1-speed Bronze casing ONLY)	5	(127)	
Liquid temperatures	14°F (-10°C) up to 230°F (110°C)		
Domestic hot water temperature	< 150°F (66°C)		
Max. Ambient temperature	104°F (40°C)		
Max. working pressure	145 psi		
Min. inlet pressure at suction side at	122°F (50°C)	203°F (95°C)	230°F (110°C)
	0,7 psi	4,4 psi	14,5 psi

5.3 Scope of Supply

- Complete pump
- Installation and operating instructions

5.4 Accessories

- Accessories such as companion flanges must be ordered separately
- Unions (sweat and threaded) for the screwed-pipe connection.
 - Flanges for flange-pipe connection.
 - Closing caps for terminal box cable entry

6 Description and function

6.1 Product description (see Fig. 1)

1 Terminal box	6 Motor housing
2 Suction side	7 Cable entry
3 Pump housing	8 Venting plug
4 Discharge side	9 Name plate
5 Condensate outlet	10 3-speed switch

6.2 Design of pump and motor

In the wet-rotor pump all rotating parts are surrounded by the liquid being pumped. A shaft seal, which would be subject to wear is not required. The pumping medium lubricates the bearings and cools both bearing and rotor. The pump is maintenance free. The motor is impedance protected so motor overload protection is not required. Even the maximum overload current cannot damage the motor. The motor operates non-overloading. The pump is protected in all three speeds.

6.3 Functions

Speed setting of Star S... pumps (Fig. 7)

The speed of the pump can be adjusted with a 3-speed rotary switch.

In position 1 the speed is approx. 40...50 % of the maximum speed with the power consumption being reduced to 50 %.

7 Installation and electrical connection

Installation and electrical work in compliance with any local codes and by qualified personnel only!



WARNING! Bodily injury

Existing regulations for the prevention of accidents must be observed.



WARNING! Electrical shock hazard

Dangers caused by electrical energy must be excluded. National Electrical Codes, local codes and regulations must be followed.

7.1 Installation

- The pump must be installed in a dry, well-ventilated and frost-free place.



CAUTION! Possible damage of the pump

Dirt and solder drops in to the pump body can affect the pump operation.

- It is recommended that any welding and soldering work be done before installing the pump.
- Thoroughly flush the system out before installing the pump.

- The pump must be installed in an easily accessible position to facilitate inspection or replacement.



WARNING! Risk of accident by hot surfaces

The pump must be positioned so that someone cannot come into contact with the hot pump surfaces while operation.

- It is recommended that isolation valves be installed on the suction and discharge side of the pump. This will save having to drain and refill the system if the pump needs replacing. The valves are to be installed so that any water that escapes cannot drip onto the pump motor or terminal box.

- Pump must be installed with the shaft in the horizontal position in such a way that it is not stressed by the pipework. (Installation positions in Fig. 2)
- An arrow on the pump housing indicates the direction of water flow (Fig. 3, pos. 1).
- In order to obtain the correct terminal box position the motor housing can be turned after removing the two allen screws (Fig. 4).
 - Permitted terminal box positions see Fig. 2



CAUTION! Possible damage of the pump

Do not damage the flat gasket between pump head and pump housing. Check the correct position. If necessary use a new gasket: $\varnothing 86 \times \varnothing 76 \times 2.0$ mm EP.

- Replace the pump head onto the pump housing and tighten the allen screws evenly.
- After replacing, check that the rotor shaft still rotates freely. Remove the plug (located in the middle of the nameplate), insert a flat head screwdriver into the slot end of the shaft and turn to ensure free rotation.
- Between the stator housing and pump volute, there are four drain holes to allow condensed water to escape (Fig. 3, pos. 2).



CAUTION! Possible damage of the pump!

The motor and condensate holes must remain free.

For units which are to be insulated, only the pump volute may be insulated.

7.2 Electrical connection



WARNING! Electrical shock hazard

Dangers caused by electrical energy must be excluded.

- Electrical work by a qualified electrician only!
- National Electrical Codes, local codes and regulations must be strictly followed.
- All electrical connections must be performed after the electrical supply has been switched off and secured against unauthorized switching.
- For safe installation and operation a proper grounding of the pump to the power supply's grounding terminals is required.

- The operating voltage and frequency are marked on the nameplate.
- The pump must be connected to the power supply by a solid cable equipped with a grounded plug-connection or a main power switch.
- The motor is impedance protected so motor overload protection is not required.
- A minimum cable size of 14 AWG should be used (refer to the local codes).

NOTE! When using the pump in systems with water temperature exceeding 194°F (90 °C), a connecting cable with corresponding heat resistance must be used.

- The supply cable must be laid so that it never touches the pipework and/or the pump and motor casing.
- The connecting cable can be fed through the cable entry either above or below the terminal box. The cable entry which is not used must be closed by a blind plug.
- Connect power as shown in fig. 5 and fig. 6
 - Loosen the terminal box screw and remove the screw and cover.
 - The terminal box is equipped with Quick-action snap-lock terminal connection. Instructions:
 - Fig. 5 A: Push down the snap-lock lever towards the horizontal position until the resistance becomes greater (with very little force)
 - Fig. 5 B: Take the cable to be connected, push down the snap-lock lever to a fully horizontal position and insert the cable. To fix the cable end release the lever.
 - Fig. 5 C: Turn back the lever to its original vertical position.
 - Feed the appropriate size cable to the hole in the side of the terminal box.
 - Connect the leads of the cable according to the **L** and **N** cable entry respectively and the ground lead to the \perp cable entry.
 - Replace the terminal box cover.

- The pump/installation should be grounded in compliance with local regulations. A ground fault interrupter can be used as extra protection.

8 Start up

8.1 System filling – Venting

- Proper fill and pressurize the system with liquid.



CAUTION! Possible damage of the pump

Never operate the pump dry. The system must be filled before starting the pump. Ensure that all isolation valves are open.

- The pump is normally vented automatically after a short operational period. If it becomes necessary to vent the pump, please observe the following procedure:
 - Switch off pump.



WARNING! Risk of burning if the pump is touched

Depending on the operating condition of the pump and/or installation (fluid temperature) the pump/motor can become very hot.

- Close the valve on the discharge side.



WARNING! Risk of scalding

Depending on the fluid temperature and the system pressure, if the vent screw is completely loosened hot liquid or vapour can escape or even shoot out at high pressure.

- Place a container under the back of the pump to catch any water that may run out.
- Protect all electrical parts against the leaking water.
- Carefully loosen the vent plug with a suitable screwdriver (Fig. 8) continue until water appears, but do not remove.
- After 30 sec. re-tighten the plug.
- Re-open isolating valve.
- Switch-on pump.

8.2 Speed setting of Star S... pumps (Fig. 7)

The speed is changed by means of a rotary switch at the terminal box. 1 represents the lowest and 3 the highest speed.

9 Maintenance /Service

All servicing should be performed by an authorized service representative!



WARNING! Electrical shock hazard

Dangers caused by electrical energy must be excluded.

All electrical work must be performed after the electrical supply has been switched off and secured against unauthorized switching.



WARNING! Risk of scalding

At high water temperatures and system pressure close isolating valves before and after the pump. First, allow pump to cool down.

These pumps are maintenance free. Self-lubricated by the system fluid, these pumps have no seals to leak or coupling to break.

10 Faults, causes and remedies



WARNING! Electrical shock hazard

Dangers caused by electrical energy must be excluded.

All electrical work must be performed after the electrical supply has been switched off and secured against unauthorized switching.



WARNING! Risk of scalding

At high water temperatures and system pressure close isolating valves before and after the pump. First, allow pump to cool down.

Problem	Causes	Remedy
Pump is switched on but fails to run	Electrical defect / fuse is blown	Check /replace the fuse Should the fuse blow several times in a row: - check the pump for electrical faults - check the pump mains cable and electrical connection.
	Ground fault interrupter has triggered	Switch ground fault interrupter back on. Should the circuit-breaker trip several times in a row: - Check the pump for electrical faults. - Check the pump mains cable and electrical connection.
	Capacitor defect	Replace capacitor (observe name plate data)
	Motor is blocked, e.g. by deposits from the heating water	Check and if necessary rectify that the rotor shaft still rotates freely: - Remove the vent plug, - insert a flat head screwdriver into the slot end of the shaft and turn to ensure free rotation, - replace the vent plug.
Noise in the system	Air in the system	Vent the system
	The pump flow is too high	Decrease the pump output switch to a lower speed
	The pump head too high	Check speed setting, if necessary switch to a lower speed
Noise in the pump	Air in the pump	Vent the pump (see chapter 8.1)
	Cavitation due to insufficient inlet pressure	Increase system pressure within the permissible range

If the fault cannot be remedied, please contact your local sanitary and heating specialist or WILO customer services.

11 Spare parts

All spare parts must be ordered through your local specialist and/or Wilo Customer Services. In order to avoid returns and incorrect orders, please specify the name plate data for all orders.

1 Généralités

1.1 À propos de ce document

Cette notice de montage et de mise en service fait partie intégrante du produit. Elle doit être conservée à proximité du produit et prête à l'emploi en cas de besoin. Le respect scrupuleux de ces instructions est une condition préalable à l'utilisation du produit aux fins prévues, ainsi qu'à son fonctionnement correct.

Cette notice de montage et de mise en service est conforme à la version respective de l'équipement et aux normes de sécurité sous-jacentes en vigueur au moment de la mise sous presse.

2 Sécurité

La présente notice contient des instructions primordiales, qui doivent être respectées lors du montage et de la mise en service. Il est donc impératif qu'elle soit lue à la fois par l'installateur et l'opérateur avant d'installer ou de mettre la pompe de circulation en service.

Il y a lieu d'observer non seulement les instructions générales de cette section, mais aussi les prescriptions spécifiques abordées dans les points suivants.

2.1 Symboles et signaux utilisés dans cette notice de mise en service

Symboles :



Symbole général de sécurité



Dangers par influences électriques

Signaux :

DANGER!

Situation dangereuse imminente.

Cause de décès ou de blessure grave si elle n'est pas évitée.

AVERTISSEMENT!

L'utilisateur peut être exposé à des blessures (graves).

« Avertissement » indique qu'une blessure de l'utilisateur ou une dégradation du produit est possible lorsque l'utilisateur néglige la procédure.

ATTENTION!

Le produit risque d'être endommagé. « Attention » se réfère au produit lorsque l'utilisateur néglige les procédures.

NOTE!

Note contenant des informations sur le produit utiles à l'utilisateur. Elle attire l'attention de l'utilisateur sur les problèmes éventuels.

2.2 Personnel qualifié

Il convient de veiller à la qualification du personnel amené à réaliser le montage.

2.3 Dangers encourus en cas de non-observation des consignes

La non-observation des consignes de sécurité peut avoir des conséquences graves sur la sécurité des personnes et sur l'installation. Elle peut également entraîner la suspension de tout recours en garantie.

En particulier, le non-respect de ces consignes de sécurité peut accroître la probabilité des risques suivants

- défaillance de fonctions importantes de la pompe ou de l'installation ;
- dangers pour les personnes par influences électrique ou mécanique ;
- dommages matériels.

2.4 Consignes de sécurité pour l'utilisateur

Il convient d'observer les consignes existantes en vue d'exclure tout risque d'accident.

Les codes électriques nationaux, de même que les codes et règlements nationaux, doivent être respectés.

2.5 Consignes de sécurité pour l'inspection et l'installation

L'opérateur doit veiller à ce que tous les travaux d'inspection et d'installation soient réalisés par des spécialistes autorisés et qualifiés ayant pris connaissance du contenu de la notice.

Les travaux réalisés sur la pompe/l'unité ne doivent avoir lieu que si la pompe est hors tension et à l'arrêt complet.

2.6 Modification du matériel et utilisation de pièces détachées non agréées

Toute modification de la pompe ne peut être effectuée que moyennant l'autorisation préalable du fabricant. L'utilisation de pièces de rechange d'origine et d'accessoires autorisés par le fabricant garantit la sécurité. L'utilisation d'autres pièces peut dégager notre société de toute responsabilité.

2.7 Modes d'utilisation non autorisés

La sécurité de fonctionnement de la pompe ou de l'installation livrée n'est garantie que si les prescriptions précisées au chapitre 4 de la notice d'utilisation sont respectées. Les valeurs indiquées dans le catalogue ou la fiche technique ne doivent en aucun cas être dépassées.

3 Transport et stockage avant utilisation

À la livraison du matériel, vérifiez qu'il ne présente aucune avarie de transport. En cas d'avarie, entreprenez toutes les démarches nécessaires auprès du transporteur dans les délais impartis.



ATTENTION!

Les influences extérieures peuvent être à l'origine de dommages.

Si le matériel livré doit être installé ultérieurement, stockez-le dans un endroit sec à l'abri des impacts et de toutes influences extérieures (humidité, gel, etc.).

Manipulez la pompe avec précaution de façon à ne pas endommager le produit avant l'installation.

4 Utilisation prévue (application)



ATTENTION! Risque d'endommager la pompe

Ces pompes conviennent uniquement au refoulement de l'eau

Les pompes de circulation sont utilisées pour véhiculer les liquides dans

- les dispositifs de chauffage à l'eau chaude ;
- les circuits d'eau de refroidissement et d'eau froide ;
- les systèmes de circulation fermés ;
- les systèmes de circulation d'eau chaude à usage privé.

Liquides autorisés et exigences :

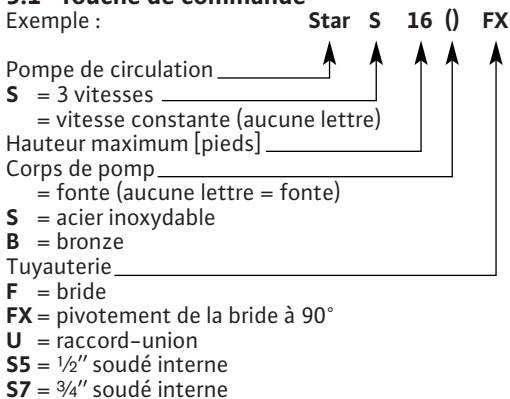
- Eau chaude à usage privé. Dans les systèmes d'eau chaude ouverts à usage privé, les pompes doivent être en bronze conformément à toutes les autres exigences NSF spécifiques.
- Eau de chauffage conformément aux exigences des normes acceptées concernant la qualité de l'eau dans les systèmes de chauffage.
- Eau et mélanges eau/glycol avec un rapport maximum de 1:1. Les mélanges à base de glycol nécessitent une réévaluation des données hydrauliques de la pompe en tenant compte de la viscosité accrue et des rapports de mélange. Seules les préparations d'additifs approuvées contenant des inhibiteurs de corrosion peuvent être utilisés dans le strict respect des instructions fournies par les fabricants.

Pour utiliser d'autres types de fluides, veuillez tout d'abord consulter WILLO.

5 Données techniques

5.1 Touche de commande

Exemple :



5.2 Tableau de données

Tension	1~115 V		
Fréquence réseau	60 Hz		
Puissance absorbée	Voir plaque signalétique		
Modification de la vitesse	3 vitesses (Star S... uniquement)		
Encombrement :	pouce	(mm)	
Bride F	6 3/8	(162)	
Raccord-union (corps en bronze 1 vitesse UNIQUEMENT)	6	(152,4)	
Raccord soudé (corps en bronze 1 vitesse UNIQUEMENT)	5	(127)	
Températures des liquides	14°F (-10°C) jusqu'à 230°F (110°C)		
Température de l'eau chaude à usage privé.	< 150°F (66°C)		
Température ambiante max.	104°F (40°C)		
Pression de service max.	145 psi		
Pression min. à l'entrée côté aspiration	122°F (50°C)	203°F (95°C)	230°F (110°C)
	0,7 psi	4,4 psi	14,5 psi

5.3 Étendue de livraison

- Pompe complète
- Notice de montage et de mise en service

5.4 Accessoires

Des accessoires tels que les contrebrides doivent être commandés séparément.

- Raccords-unions (soudés et filetés) pour le raccord du tuyau fileté
- Brides pour le raccord du tuyau à bride
- Chapeaux de fermeture pour l'entrée de câble de la boîte à bornes

6 Description et fonctionnement

6.1 Description du produit (voir figure 1)

1 Boîte à bornes	6 Carcasse moteur
2 Côté aspiration	7 Entrée de câble
3 Corps de pompe	8 Bouchon de dégazage
4 Côté écoulement	9 Plaque signalétique
5 Écoulement de condensation	10 Commutateur 3 vitesses

6.2 Conception de la pompe et du moteur

Dans la pompe à rotor noyé, toutes les pièces rotatives sont plongées dans le fluide véhiculé. Il n'est pas nécessaire de prévoir un joint d'arbre qui serait soumis à l'usure. Le fluide véhiculé lubrifie les paliers et refroidit à la fois le palier et le rotor. La pompe ne nécessite pas d'entretien. Comme le moteur est équipé d'un dispositif de protection à impédance, aucune protection du moteur contre les surcharges n'est requise. Même le courant de surcharge maximum ne peut endommager le moteur. Le moteur tourne sans surcharge. La pompe est protégée dans chacune des trois vitesses.

6.3 Fonctions

Réglage de vitesse des pompes Star S... (fig. 7)

La vitesse de la pompe peut être ajustée grâce à un commutateur rotatif à 3 vitesses.

En position 1, la vitesse correspond environ à 40...50 % de la vitesse maximale, la puissance absorbée étant réduite à 50 %.

7 Installation et raccordement électrique

Les travaux d'installation et électriques ne peuvent être effectués que par un personnel qualifié conformément aux codes locaux !



AVERTISSEMENT! Blessure corporelle

Il convient d'observer les consignes existantes en vue d'exclure tout risque d'accident.



AVERTISSEMENT! Risque de choc électrique

Il y a également lieu d'exclure tous dangers liés à l'énergie électrique.

Les codes électriques nationaux, de même que les codes et règlements nationaux, doivent être respectés.

7.1 Installation

- La pompe doit être montée dans un endroit sec, bien aéré et à l'abri du gel.



ATTENTION! Risque d'endommager la pompe

Les salissures et gouttes de brasage tendre dans le corps de pompe peuvent affecter le fonctionnement de la pompe.

- Il est recommandé d'effectuer toutes les opérations de soudage et de brasage avant d'installer la pompe.
- Nettoyez le système en profondeur avant d'installer la pompe.

- Installez la pompe dans un endroit facile d'accès pour permettre toute intervention ultérieure (contrôle/dépannage).



AVERTISSEMENT! Risque d'accident en raison des surfaces chaudes

La pompe doit être positionnée de façon à empêcher toute personne d'entrer en contact avec les surfaces chaudes de la pompe pendant son fonctionnement.

- Il est recommandé d'installer les vannes d'isolement côtés aspiration et écoulement de la pompe, ce qui évitera de devoir vider et remplir de nouveau le système si la pompe doit être remplacée. On orientera les vannes de façon à éviter que les fuites d'eau ne tombent sur le moteur de la pompe ou la boîte à bornes.
- La pompe doit être installée avec l'arbre en position horizontale de façon à ne pas subir les contraintes de la tuyauterie. (positions d'installation en fig. 2)
- Une flèche sur le corps de la pompe indique le sens d'écoulement de l'eau (fig. 3, pos. 1).
- Pour placer la boîte à bornes dans la bonne position, il est possible de faire pivoter la carcasse après avoir retiré les deux vis à six pans creux (fig. 4).
- Positions autorisées de la boîte à bornes, voir fig. 2



ATTENTION! Risque d'endommager la pompe

Veillez à ne pas endommager le joint plat situé entre la tête et le corps de la pompe. Vérifiez que la position est correcte. Si nécessaire, utilisez un nouveau joint :
Ø 86 x Ø 76 x 2.0 mm EP.

- Remplacez la tête sur le corps de pompe et resserrez les vis à six pans creux de manière égale.
- Une fois le remplacement effectué, vérifiez que l'arbre du rotor tourne toujours librement. Retirez le connecteur (situé au milieu de la plaque signalétique), insérez un tournevis à tête plate dans la fente de l'arbre et tournez pour vous assurer de la libre rotation.
- Entre le corps du stator et la volute de la pompe, il existe quatre orifices de vidange permettant à l'eau condensée de s'échapper (fig. 3, pos. 2).



ATTENTION! Risque d'endommager la pompe !

Le moteur et les orifices de condensation doivent rester libres.
Si l'on isole l'installation, seulé la volute de la pompe peut être isolée.

7.2 Raccordement électrique



AVERTISSEMENT! Risque de choc électrique

Il y a également lieu d'exclure tous dangers liés à l'énergie électrique.

- Travaux électriques à faire réaliser uniquement par un électricien qualifié !
 - Les codes électriques nationaux, de même que les codes et règlements nationaux, doivent être scrupuleusement respectés.
 - Avant d'effectuer les raccordements électriques, la pompe doit être mise hors tension et protégée contre les redémarrages non autorisés.
 - Pour garantir la sécurité d'installation et de fonctionnement, il est nécessaire de réaliser une mise à la terre correcte avec les bornes de terre de l'alimentation électrique.
- La tension de fonctionnement et la fréquence sont indiquées sur la plaque signalétique.
 - La pompe doit être raccordée au réseau au moyen d'un câble solide équipé d'un connecteur mâle ou d'un interrupteur d'alimentation principal.
 - Comme le moteur est protégé contre les impédances, aucune protection du moteur contre les surcharges n'est requise.
 - Il convient d'utiliser un câble d'une taille minimale de 14 AWG (cf. codes locaux).
- NOTE!** Si l'on utilise la pompe dans des systèmes dont la température du fluide véhiculé dépasse 194°F (90 °C), il convient d'utiliser un câble de raccordement résistant à une telle chaleur.
- Le câble de raccordement doit être placé de façon à ne jamais entrer en contact avec la canalisation principale et/ou le corps de pompe et la carcasse moteur.
 - Le câble de raccordement peut passer par l'entrée de câble, soit au-dessus soit en dessous de la boîte à bornes. L'entrée de câble inutilisée doit être obturée par un bouchon borgne.
 - Mettez sous tension comme illustré à la fig. 5 et à la fig. 6
 - Desserrez la vis de la boîte à bornes et retirez la vis et le couvercle.

- La boîte à bornes est équipée d'un raccordement à action rapide avec verrou à bascule. Instructions :
 - Fig. 5 A: Appuyez sur le levier avec verrou à bascule pour le faire passer en position horizontale jusqu'à ce que la résistance devienne plus importante (avec très peu de force).
 - Fig. 5 B: Gardez le câble connecté, appuyez sur le levier pour le faire basculer totalement à l'horizontal et insérez le câble. Pour fixer l'extrémité du câble, lâchez le levier.
 - Fig. 5 C: Remettez le levier dans sa position verticale de départ.
- Faites passer un câble de taille adéquate sur le côté de la boîte à bornes.
- Raccordez les plombs du câble respectivement aux entrées de câble **L** et **N** et le conducteur de terre à l'entrée de câble \perp .
- Remplacez le couvercle de la boîte à bornes.
- La pompe/installation doit être mise à la terre conformément aux réglementations locales. Un disjoncteur de fuite à la terre peut servir de protection supplémentaire.

8 Démarrage

8.1 Remplissage et dégazage du système

- Remplissez et pressurisez le système avec le fluide.



ATTENTION! Risque d'endommager la pompe

Ne faites jamais fonctionner la pompe à sec.

Le système doit être rempli avant de démarrer la pompe. Veillez à ce que toutes les vannes d'isolement soient ouvertes.

- En principe, la pompe est ventilée automatiquement après une courte période de fonctionnement. S'il s'avère nécessaire de dégazer la pompe, veillez à suivre la procédure suivante :
 - Arrêtez la pompe



AVERTISSEMENT! Risque de brûlure en cas de contact avec la pompe

En fonction des conditions de fonctionnement de la pompe et/ou de l'installation (température du liquide refoulé), la pompe/le moteur peut devenir extrêmement chaud.

- Fermez la vanne côté écoulement



AVERTISSEMENT! Risque de brûlure

Selon la température du fluide et la pression du système, lorsqu'on ouvre complètement la vis de dégazage, il peut arriver que du fluide chaud ou de la vapeur s'échappe ou jaillisse avec une pression élevée.

- Placez un conteneur sous l'arrière de la pompe afin de récupérer l'eau susceptible de s'évaporer.
- Protégez toutes les pièces électriques contre les fuites d'eau.
- Desserrez prudemment le bouchon de dégazage à l'aide d'un tournevis adapté (fig. 8) jusqu'à ce que l'eau apparaisse, mais ne le retirez pas.
- Après 30 secondes, resserrez le bouchon.
- Ouvrez de nouveau la vanne d'isolement.
- Mettez la pompe en marche.

8.2 Réglage de vitesse des pompes Star S... (fig. 7)

La vitesse est réglée au moyen d'un commutateur rotatif situé sur la boîte à bornes. Le chiffre 1 représente la vitesse minimale, le 3 la vitesse maximale.

9 Entretien / Service

Tous les travaux d'entretien doivent être effectués par un représentant autorisé !



AVERTISSEMENT! Risque de choc électrique

Il y a également lieu d'exclure tous dangers liés à l'énergie électrique.
Avant d'effectuer les travaux électriques, la pompe doit être mise hors tension et protégée contre les redémarrages non autorisés.



AVERTISSEMENT! Risque de brûlure

Si la température de l'eau et la pression du système sont élevées, fermez les vannes d'isolement en amont et en aval de la pompe.
Dans un premier temps, laissez la pompe se refroidir.

Ces pompes ne nécessitent aucun entretien. Automatiquement lubrifiées par le fluide du système, ces pompes n'ont pas de joints ni d'accouplements.

10 Pannes, causes et remèdes



AVERTISSEMENT! Risque de choc électrique

Il y a également lieu d'exclure tous dangers liés à l'énergie électrique.
Avant d'effectuer les travaux électriques, la pompe doit être mise hors tension et protégée contre les redémarrages non autorisés.



AVERTISSEMENT! Risque de brûlure

Si la température de l'eau et la pression du système sont élevées, fermez les vannes d'isolement en amont et en aval de la pompe.
Dans un premier temps, laissez la pompe se refroidir.

Problèmes	Causes	Remède
La pompe est sous tension, mais ne démarre pas	Défaut électrique / fusible sauté	Vérifier / remplacer le fusible Si le fusible saute plusieurs fois de suite : - vérifier que la pompe ne présente aucun défaut d'origine électrique - vérifier le câble principal de la pompe et le raccordement électrique
	Le disjoncteur de fuite à la terre s'est déclenché	Relancer le disjoncteur de fuite à la terre du commutateur Si le disjoncteur se déclenche plusieurs fois de suite : - vérifier que la pompe ne présente aucun défaut d'origine électrique - vérifier le câble principal de la pompe et le raccordement électrique
	Condensateur défectueux	Remplacer le condensateur (observer les données de la plaque signalétique)
	Le moteur est bloqué, p. ex. par des dépôts de l'eau provenant de chauffage	Vérifier que l'arbre du rotor tourne toujours librement et, si nécessaire : - retirer le bouchon de dégazage - insérer un tournevis à tête plate dans la fente de l'arbre et tourner pour s'assurer de la libre rotation - remplacer le bouchon de dégazage
Présence de bruit dans le système	Présence d'air dans le système	Aérer le système
	Le débit de la pompe est trop élevé	Positionner le commutateur de puissance utile sur une vitesse inférieure
	La hauteur de charge est trop élevée	Vérifier le réglage de la vitesse et, si nécessaire, passer à une vitesse inférieure
Présence de bruit dans la pompe	Présence d'air dans la pompe	Aérer la pompe (voir chapitre 8.1)
	Cavitation due à une pression d'admission insuffisante	Augmenter la pression du système dans la plage autorisée

S'il n'est pas possible de remédier au défaut, veuillez faire appel à votre spécialiste local en installations sanitaires ou de chauffage, ou au SAV WILO.

11 Pièces détachées

Toutes les pièces détachées doivent être commandées auprès de votre spécialiste local et/ou du service clientèle de Wilo.

Afin d'éviter les retours et commandes incorrectes, veuillez indiquer les données de la plaque signalétique pour toutes les commandes.

1 Generalidades

1.1 Acerca de este documento

Este manual de instalación y funcionamiento es una parte integrante de la unidad. Debe guardarse cerca de la unidad, listo para su uso en caso necesario. El estricto cumplimiento de estas instrucciones es un requisito previo para el uso de la unidad de acuerdo con los fines previstos así como para su correcto funcionamiento.

Este manual de instalación y funcionamiento corresponde a la versión suministrada del equipo y cumple con las correspondientes normas de seguridad vigentes en el momento de la impresión.

2 Instrucciones de seguridad

Estas instrucciones contienen información fundamental acerca de las medidas de seguridad que se deben adoptar a la hora de la instalación y de la puesta en marcha de la bomba. Por ello, es imprescindible que tanto el instalador como el usuario lean las instrucciones antes de instalar o de poner en marcha la bomba de circulación.

Además de la información general contenida en este apartado, también deben tenerse en cuenta las advertencias específicas que se exponen en los apartados siguientes.

2.1 Señalización de las advertencias

Símbolos:



Símbolo general de seguridad



Peligros por causas eléctricas

Advertencias:

¡PELIGRO!

Situación peligrosa inminente.
Si no se evita, puede provocar la muerte o heridas graves.

¡ADVERTENCIA!

El usuario puede estar expuesto a lesiones (graves). La advertencia "ADVERTENCIA" indica que el incumplimiento del procedimiento por parte del usuario puede causar heridas al usuario o daños al producto.

¡ATENCIÓN!

El producto corre el riesgo de sufrir daños. La advertencia "ATENCIÓN" se refiere al producto cuando el usuario incumple los procedimientos.

NOTA

Nota con información relativa al producto, útil para el usuario. Llama la atención del usuario sobre los posibles problemas.

2.2 Cualificación del personal

Las personas que se encarguen del montaje de la bomba deben poseer la cualificación requerida para este tipo de operaciones.

2.3 Peligros en caso de incumplimiento de las instrucciones de seguridad

El incumplimiento de las instrucciones de seguridad puede dar lugar a lesiones corporales para las personas y daños para el aparato o la instalación. A su vez, puede tener como consecuencia la pérdida de todo derecho a indemnización por daños ocasionados (garantía).

Más especialmente, el incumplimiento de estas instrucciones de seguridad puede aumentar las probabilidades de los siguientes riesgos:

- fallo de funciones importantes de la bomba o instalación,
- lesiones personales por causas de origen eléctrico o mecánico,
- daños materiales.

2.4 Instrucciones de seguridad para el usuario

Se deben respetar las normas vigentes para la prevención de accidentes.

También se debe cumplir no sólo con los códigos eléctricos nacionales sino también con los códigos y reglamentos locales.

2.5 Instrucciones de seguridad para trabajos de inspección e instalación

Al usuario le incumbe la responsabilidad de encargar la inspección y el montaje a personas cualificadas y autorizadas que conozcan bien las presentes instrucciones.

Cualquier trabajo que se lleve a cabo en la bomba o la unidad exige su previa desconexión y su completa inmovilización.

2.6 Modificación del material y uso de repuestos no autorizados

Cualquier modificación que se pretenda efectuar en la bomba o la instalación requiere la previa autorización del fabricante. Los repuestos originales y los accesorios autorizados por el fabricante garantizan la seguridad. El fabricante del equipo queda eximido de toda responsabilidad por los daños ocasionados por repuestos o accesorios no autorizados.

2.7 Usos no autorizados

La seguridad de funcionamiento de la bomba o instalación suministrada sólo se garantiza si se cumple lo expuesto en el apartado 4 de las instrucciones de instalación y funcionamiento. Los valores límite indicados en el catálogo o en la ficha técnica no se deben sobrepasar de ningún modo.

3 Transporte y almacenaje

Cuando se le entregue el material, asegúrese de que no ha sufrido ningún daño durante el transporte. En caso de que observe algún daño debido al transporte, tome todas las medidas oportunas con el transportista dentro del plazo contemplado.



¡ATENCIÓN! Factores externos pueden causar daños

Si el material suministrado se instalara posteriormente, almacénelo en un lugar seco y protegido de los impactos así como de factores externos (humedad, heladas, etc.).

Maneje la bomba con cuidado para evitar que la unidad se dañe antes de su instalación.

4 Uso previsto (aplicación)



¡ATENCIÓN! Posible daño de la bomba

Estas bombas están destinadas a impulsar exclusivamente agua.

Las bombas de circulación se utilizan para impulsar líquidos en

- sistemas de calefacción de agua caliente,
- circuitos de agua de refrigeración y agua fría,
- circuitos cerrados,
- sistemas de recirculación de agua caliente sanitaria.

Líquidos autorizados y requisitos:

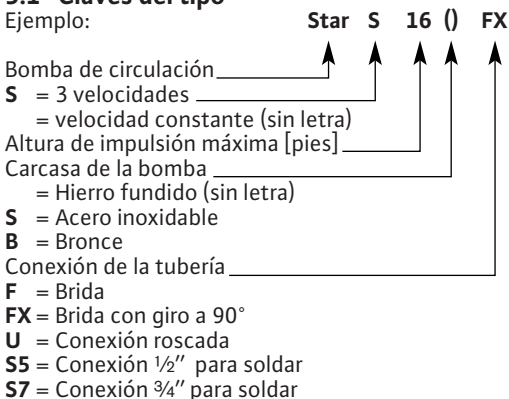
- Agua caliente sanitaria. En los sistemas abiertos de agua caliente sanitaria, la carcasa de las bombas debe ser de bronce y han de cumplirse todos los demás requisitos NSF específicos.
- Agua de calefacción de acuerdo con los requisitos de las normas empleadas sobre la calidad del agua en los sistemas de calefacción.
- Agua y mezclas de agua/glicol con una relación máxima de 1:1. Las mezclas a base de glicol requieren una reevaluación de los datos hidráulicos de la bomba en consonancia con el incremento de la viscosidad y según las proporciones de mezcla. Utilice sólo productos de marca que estén provistos de inhibidores contra la corrosión y en estricta conformidad con las instrucciones proporcionadas por los fabricantes.

Para utilizar otros tipos de líquidos, consulte primero con WILO.

5 Datos técnicos

5.1 Claves del tipo

Ejemplo:



5.2 Tabla de datos

Voltaje	1~115 V		
Frecuencia de la red	60 Hz		
Potencia absorbida	Ver placa de características		
Ajuste de la velocidad	3 velocidades (sólo Star S ...)		
Longitud entre conexiones:	pulgadas	(mm)	
Brida F	6 3/8	(162)	
Conexión roscada (SÓLO versión en bronce, 1 velocidad)	6	(152,4)	
Conexión soldada soldada (SÓLO versión en bronce, 1 velocidad)	5	(127)	
Temperatura de medio de impulsión	de 14°F (-10°C) a 230°F (110°C)		
Temperatura máx. para agua caliente sanitaria	< 150°F (66°C)		
Temperatura ambiente máx.	104°F (40°C)		
Presión de trabajo máx.	145 psi		
Presión de entrada mín. en la boca de aspiración	122°F (50°C)	203°F (95°C)	230°F (110°C)
	0,7 psi	4,4 psi	14,5 psi

5.3 Suministro

- Bomba completa
- Manual de instalación y funcionamiento

5.4 Accesorios

Los accesorios tales como las contrabridas deben pedirse por separado.

- Racores (roscados y para soldar) para el empalme del tubo.
- Contrabridas para conexión embreada.
- Tapones para las entradas de cable de la caja de bornes

6 Descripción y funcionamiento

6.1 Descripción del producto (ver Fig. 1)

- | | |
|------------------------------|----------------------------|
| 1 Caja de bornes | 6 Carcasa del motor |
| 2 Aspiración | 7 Entrada de cable |
| 3 Carcasa de la bomba | 8 Tornillo de purga |
| 4 Impulsión | 9 Placa de características |
| 5 Orificios para condensados | 10 Selector de velocidad |

6.2 Diseño de la bomba y del motor

En la bomba de rotor húmedo todas las piezas giratorias están sumergidas en el líquido bombeado.

No se requiere ningún cierre mecánico que estaría expuesto al desgaste. El medio de impulsión lubrica los cojinetes y enfría a la vez los cojinetes y el rotor. La bomba no requiere ningún mantenimiento.

El motor dispone de una protección de impedancia de modo que no es necesaria ninguna protección del motor contra las sobrecargas. Hasta las corrientes de sobrecarga máximas no pueden dañar el motor. El motor funciona sin sobrecargas. La bomba está protegida con las tres velocidades.

6.3 Funcionamiento

Ajuste de velocidad de las bombas Star S ... (Fig. 7)

Se puede ajustar la velocidad de la bomba mediante un conmutador giratorio de 3 velocidades. En la posición 1, la velocidad corresponde aproximadamente al 40...50 % de la velocidad máxima, reduciéndose la potencia absorbida en un 50 %.

7 Instalación y conexión eléctrica

¡La instalación y la conexión eléctrica las debe llevar a cabo únicamente personal cualificado de acuerdo con los códigos locales!



¡ADVERTENCIA! Daños personales

Se deben respetar las normas vigentes para la prevención de accidentes.



¡ADVERTENCIA! Peligro de descarga eléctrica

Deben excluirse los peligros relacionados con la energía eléctrica.

También se debe cumplir no sólo con los códigos eléctricos nacionales sino también con los códigos y reglamentos locales.

7.1 Instalación

- La bomba se debe instalar en un lugar seco, bien ventilado y protegido de las heladas.



¡ATENCIÓN! Posible daño de la bomba

La suciedad y las gotas de soldadura en el cuerpo de la bomba pueden alterar el funcionamiento de la misma.

- Se recomienda no instalar la bomba hasta que haya finalizado todo el trabajo de soldadura.
- Limpie a fondo el sistema antes de instalar la bomba.

- La bomba se debe instalar en un lugar de fácil acceso de modo que resulte fácil proceder posteriormente a su inspección o sustitución.



¡ADVERTENCIA! ! Peligro de accidente debido a las superficies calientes

La bomba debe colocarse de modo que nadie pueda entrar en contacto con las superficies calientes de la bomba mientras ésta funcione.

- Se recomienda instalar válvulas de aislamiento en los lados de aspiración e impulsión de la bomba.
Esto evitará tener que vaciar y rellenar el sistema en caso de que sea necesario cambiar la bomba. Las válvulas deben orientarse de forma que las fugas de agua no puedan caer al motor de la bomba o a la caja de bornes.
- La bomba debe instalarse con el eje en posición horizontal de modo que no sufra tensiones por parte de la tubería. (posiciones de instalación en la Fig. 2)
- La flecha que consta en la carcasa de la bomba indica el sentido del flujo de agua. (Fig. 3, pos. 1).
- Para colocar la caja de bornes en la posición correcta, se puede girar el cuerpo del motor tras retirar los dos tornillos Allen (Fig. 4).
- Para las posiciones autorizadas de la caja de bornes, ver Fig. 2.



¡ATENCIÓN! Posible daño de la bomba

Tenga cuidado de no dañar la junta plana situada entre el cabezal y la carcasa de la bomba.

Compruebe que su posición es correcta. De ser necesario, coloque una nueva junta: $\varnothing 86 \times \varnothing 76 \times 2.0$ mm EP.

- Coloque el cabezal sobre la carcasa de la bomba y apriete los tornillos Allen uniformemente.
- Tras finalizar la sustitución, compruebe que el eje del rotor sigue girando libremente. Retire el tornillo de purga (situado en el medio de la placa de características), introduzca un destornillador de cabeza plana en la ranura del eje y gírelo para asegurar una libre rotación.
- Entre la carcasa del estátor y la voluta de la bomba, hay cuatro orificios de desagüe por los que se evacua el agua condensada (Fig. 3, pos. 2).



¡ATENCIÓN! ¡Posible daño de la bomba!

El motor y los orificios de evacuación de condensados han de permanecer libres.

Para las unidades que deben ser aisladas, sólo se puede aislar la voluta de la bomba.

7.2 Conexión eléctrica



¡ADVERTENCIA! Riesgo de choc eléctrico

Deben excluirse los peligros relacionados con la energía eléctrica.

- ¡Sólo un electricista cualificado puede realizar los trabajos eléctricos!
- Se debe cumplir estrictamente no sólo con los códigos eléctricos nacionales sino también con los códigos y reglamentos locales.
- Antes de llevar a cabo las conexiones eléctricas, desconecte la alimentación eléctrica y asegúrese de que no pueden volver a encenderla personas no autorizadas.
- Para garantizar una instalación y un funcionamiento seguros, es necesario proceder correctamente a la puesta a tierra de la bomba con los bornes de tierra de la alimentación eléctrica.

- El voltaje de trabajo y la frecuencia vienen indicados en la placa de características.
- La conexión eléctrica de la bomba debe realizarse mediante un cable sólido provisto de un conector macho con puesta a tierra o un interruptor de alimentación principal.
- El motor dispone de una protección de impedancia de modo que no es necesaria ninguna protección del motor contra las sobrecargas.
- Se recomienda utilizar un cable de tamaño mínimo de 14 AWG (consulte los códigos locales).

NOTA

Si la bomba se utiliza en sistemas en los que la temperatura del agua excede los 90°C (194°F), se debe utilizar un cable de conexión resistente a tal temperatura.

- El cable de alimentación debe colocarse de manera que nunca entre en contacto ni con la tubería ni con el cuerpo de la bomba o la carcasa del motor.
- El cable de conexión puede pasar por la entrada de cable, bien por encima o bien por debajo de la caja de bornes. La entrada de cable inutilizada debe obturarse con un tapón ciego.

- Conecte la alimentación eléctrica de la manera indicada en las figuras 5 y 6.
- Suelte el tornillo de la caja de bornes y retire el tornillo y la tapa.
- La caja de bornes está equipada con terminales de conexión rápida. Instrucciones:
Fig. 5 A: Empuje las palancas de los bornes hacia abajo hasta que la resistencia sea mayor, de modo que queden colocadas en posición horizontal (con muy poca fuerza).
Fig. 5 B: Tome el cable que se debe conectar, empuje hacia abajo la palanca del terminal hasta una posición totalmente horizontal e introduzca el cable. Suelte la palanca para que el cable quede sujeto.
Fig. 5 C: Vuelva a colocar las palancas en su posición vertical original.
- Pase el cable de tamaño adecuado por el prensaestopas situado en el lateral de la caja de bornes.
- Conecte los hilos del cable con los terminales **L** y **N**, respectivamente, y el hilo de tierra con el terminal \perp .
- Vuelva a colocar la tapa de la caja de bornes.
- La bomba/instalación se debe poner a tierra de acuerdo con los reglamentos locales. Se puede utilizar un interruptor diferencial como protección adicional.

8 Puesta en marcha

8.1 Llenado y purga del sistema

- Llene y presurice correctamente el sistema con el líquido.



¡ATENCIÓN! Posible daño de la bomba

Nunca haga funcionar la bomba en seco.

Antes de poner la bomba en marcha, se debe llenar el sistema. Asegúrese de que todas las válvulas de aislamiento están abiertas.

- En principio, la purga de la bomba se produce automáticamente tras un breve período de funcionamiento. En caso de que sea necesario purgar la bomba, siga el siguiente procedimiento:
 - Desconecte la bomba.



¡ADVERTENCIA! Peligro de quemadura en caso de contacto con la bomba

Según las condiciones de funcionamiento de la bomba y/o de la instalación (temperatura del fluido), la bomba/el motor puede volverse muy caliente.

- Cierre la válvula en la impulsión.



¡ADVERTENCIA! Peligro de quemadura

Según la temperatura del fluido y la presión del sistema, en caso de que el tornillo de purga se encuentre completamente abierto, puede que se produzca una fuga de líquido o de vapor caliente, con la posibilidad de que estos mismos elementos salgan disparados a alta presión.

- Coloque un recipiente debajo de la parte posterior de la bomba para recoger el agua que pueda salir.
- Proteja todas las piezas eléctricas de las fugas de agua.
- Afloje con cuidado el tornillo de purga utilizando un destornillador apropiado (Fig. 8) hasta que salga el agua, pero no lo retire.
- Tras unos 30 segundos, vuelva a apretar el tornillo.
- Vuelva a abrir la válvula de aislamiento.
- Conecte de nuevo la bomba.

8.2 Ajuste de velocidad de las bombas Star S ... (Fig. 7)

La velocidad se ajusta por medio de un conmutador giratorio situado en la caja de bornes. La cifra 1 representa la velocidad mínima y la 3 la velocidad máxima.

9 Mantenimiento /Reparación

¡Todas las operaciones de mantenimiento y reparaciones las tiene que llevar a cabo personal autorizado!



¡ADVERTENCIA! Peligro de descarga eléctrica

Deben excluirse los peligros relacionados con la energía eléctrica.

Antes de llevar a cabo cualquier trabajo eléctrico, desconecte la alimentación eléctrica y asegúrese de que no pueden volver a encenderla personas no autorizadas.



¡ADVERTENCIA! Peligro de quemadura

En el caso de que se diesen altas temperaturas y una presión elevada en el sistema, cierre las válvulas de aislamiento situadas delante y detrás de la bomba.

Primero, deje que la bomba se enfríe.

Estas bombas no requieren ningún mantenimiento. Al ser lubricadas automáticamente por el fluido del sistema, estas bombas no cuentan con cierres mecánicos ni acoplamientos, evitándose así las fugas o las roturas de los mismos.

10 Averías, causas y soluciones



¡ADVERTENCIA! Peligro de descarga eléctrica

Deben excluirse los peligros relacionados con la energía eléctrica.

Antes de llevar a cabo cualquier trabajo eléctrico, desconecte la alimentación eléctrica y asegúrese de que no pueden volver a encenderla personas no autorizadas.



¡ADVERTENCIA! Peligro de quemadura

En el caso de que se diesen altas temperaturas y una presión elevada en el sistema, cierre las válvulas de aislamiento situadas delante y detrás de la bomba.

Primero, deje que la bomba se enfríe.

Problema	Causas	Soluciones
La bomba no funciona a pesar de que recibe alimentación eléctrica	Fallo eléctrico / fusible fundido	Compruebe / reemplace el fusible. En caso de disparos repetidos del fusible: - compruebe que la bomba no presenta defectos eléctricos - compruebe el cable de red de la bomba así como la conexión eléctrica.
	Se ha disparado el interruptor diferencial.	Rearme el interruptor diferencial. En caso de disparos repetidos del disyuntor: - compruebe que la bomba no presenta defectos eléctricos - compruebe el cable de red de la bomba así como la conexión eléctrica.
	Condensador defectuoso	Reemplace el condensador (observe los datos de la placa de características).
	Bloqueo del motor, por ejemplo debido a depósitos procedentes del agua de calefacción.	Compruebe que el eje del rotor gira libremente y, en caso necesario: - retire el tornillo de purga, - introduzca un destornillador de cabeza plana en la ranura del eje y gírelo para comprobar la libre rotación, - vuelva a colocar el tornillo de purga en su sitio.
El sistema hace ruido	Presencia de aire en el sistema	Purgue el sistema.
	El caudal de la bomba es demasiado elevado	Reduzca la potencia de la bomba pasando a una velocidad inferior
	La altura de impulsión de la bomba es demasiado elevada.	Compruebe el ajuste de la velocidad y, en caso necesario, pase a una velocidad inferior.
La bomba hace ruido	Presencia de aire en la bomba	Purgue la bomba (ver apartado 8.1).
	Hay cavitación debido a una presión de entrada insuficiente.	Aumente la presión del sistema dentro de los límites admisibles.

En caso de que no resulte posible eliminar el fallo, póngase en contacto con su especialista en instalaciones sanitarias y de calefacción, o con el Servicio Técnico de Wilo.

11 Repuestos

Todos los repuestos han de encargarse a través de su técnico local y/o del Servicio Técnico de Wilo.

Para evitar las devoluciones y los pedidos erróneos, por favor, indique los datos de la placa de características en todos sus pedidos

WILO Canada Inc.
Bay 7 - 2915
10th Ave. N. E.
Calgary, Alberta, T2A 5L4
Phone: (403) 276-9456
Fax: (403) 277-9456

